

# Right angle adaptors

## Technical specification



Right angle adaptors provide a means of connection where protrusion space is limited, while simultaneously if necessary, converting the entry thread to that of a different type or reducing size and/or gender of the female thread.

Right angle adaptors are available in male to female (type FG), male to male (type FK) and female to female (type FN) versions.

Raxton adaptors are marked with the applicable approval number and size.

### Certifications and compliances

#### Code of protection categories

ATEX: I M2, Ex d IMb, Ex e I Mb or II GD, Ex d IIC Gb, Ex e IIC Gb, Ex tb IIIC Db  
 IECEX: Ex d I/IIC Mb/Gb, Ex e I/IIC Mb/Gb, Ex tb IIIC Db  
 GOST: ExdIIICU  
 INMETRO: Ex d IIC Gb, Ex tb IIIC IP66/67

#### Compliance standards

ATEX / GOST: EN 60079-0, EN60079-1, EN 60079-7, EN 60079-31  
 INMETRO: ABNT NBR IEC 60079-0, ABNT NBR IEC 60079-1, ABNT NBR IEC 60079-7, ABNT NBR IEC 60079-31  
 IECEX: IEC 60079-0, IEC 60079-1, IEC 60079-7, IEC 61241-1

#### Certificate details

ATEX: Sira 10ATEX1228U, ITS16ATEX101337U  
 IECEX: IECEX SIR 09.0086U, IECEX ITS16.0010U  
 GOST: TC RUC-G B.ГБ06.B.00105  
 INMETRO: NCC 12.0764X

#### Temperature

The item is classified as a component and therefore metallic products are not given an operating temperature range.

#### Ingress protection (IP):

Independently tested to IP66 / IP68 when fitted in accordance to manufacturer's instructions.



Type FG (M-F)  
Option A

Type FG (M-F)  
Option B  
(available in M20 & M25)

### Product dimensions - option A

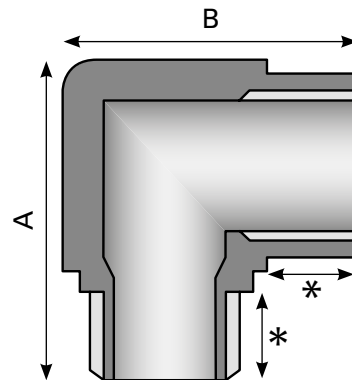
Thread	Height (A) (mm)	Width (B) (mm)	Male bore size (mm)	Female bore size (mm)	Option available
M16	45.0	40.0	9.0	14.0	A
M20	51.0	45.0	15.0	18.0	A or B*
M25	57.0	50.0	20.8	23.0	A or B*
M32	66.0	57.0	26.8	30.0	A
M40	75.0	65.0	33.5	38.0	A
M50	86.0	75.0	48.0	44.0	A
M63	101.5	90.0	61.0	55.0	A
M75	119.0	105.0	73.0	66.5	A

Other sizes / threads are available upon request.

### Product dimensions - option B

Thread	Height (A) (mm)	Width (B) (mm)	Male bore size (mm)	Female bore size (mm)
M20	56.0	46.0	12.0	14.0
M25	62.0	51.0	17.0	18.0

\* Option B available in brass only.



\* Minimum 8 full threads parallel, 5 full threads taper. (Exd)

PRODUCT CODING EXAMPLE	R.A. M-F	Brass	M20 (M)	M20 (F)	Exd / Exe	PART NUMBER
	FG	A	12	12	Y	= FGA1212Y

For full product coding details, consult page 29.